

SEEBURG

WALL-O-MATIC "200"

TYPE HD-3WA

The Wall-O-Matic "200" Type HD-3WA, is a unit of the Seeburg Wired Remote Control System for selective playing of selections in the Select-O-Matic "200" (or 160) phonographs. It operates in conjunction with the selection system in the phonograph to which it is connected with a 3-conductor cable.

The Wall-O-Matic operates at 25 volts AC, 60 cycles. Power is supplied by the phonograph or an auxiliary power supply mounted in the phonograph. Two of the three wires of the inter-connecting cable carry power to the lights and motor. The other wire and one of the power circuit wires comprise a selection circuit to provide remote control of the operation of the selection system in the phonograph.

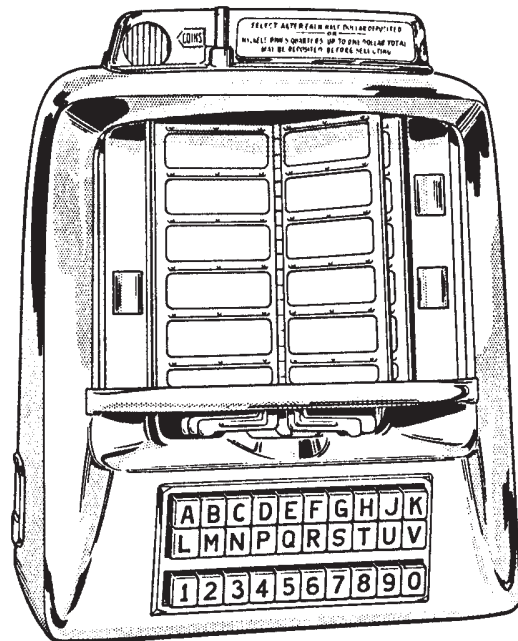
INSTALLATION INSTRUCTIONS

To mount the Wall-O-Matic, first unlock it and remove the cover. There are three holes in the back plate for mounting. The upper two are slotted for fitting over screws already set in the wall at the proper points. The lower hole is for rigid mounting, by means of a screw, after the Wall-O-Matic has been hung in place.

If the mounting place on the wall is uneven, the Wall-O-Matic mounting plate should be shimmed with cardboard or wood before tightening the three mounting screws. Tightening these screws on an uneven wall will bend the mounting plate, may seriously effect the operation of the Wall-O-Matic and will cause the cover and lock to bind. The upper right hand and lower screws are accessible for tightening directly through clearances provided. To secure the upper left hand mounting screw it is necessary to remove the 50¢ section of the slug rejector as follows:

- A. Unlatch the program holder, lift up and out on the assembly.
- B. Unscrew 1 and 2 (*Figure 2*), and remove coin chute.
- C. Release catch 3 (*Figure 2*) to right and remove 50¢ section of slug rejector by lifting up and out.

After the Wall-O-Matics are mounted in their respective locations, the cabling can be installed. Use inter-connecting cable, *Seeburg Part No. 12001*, which can be purchased in lengths to suit requirements. At the Select-O-Matic,



three solder lugs are soldered to the end of the cable. The cable is then connected to a terminal strip in the phonograph. The terminal strip is color coded. Connect the blue wire of the cable to the terminal marked BLU., the orange wire to the terminal marked ORG. (ground), and the green wire to the terminal marked GRN.

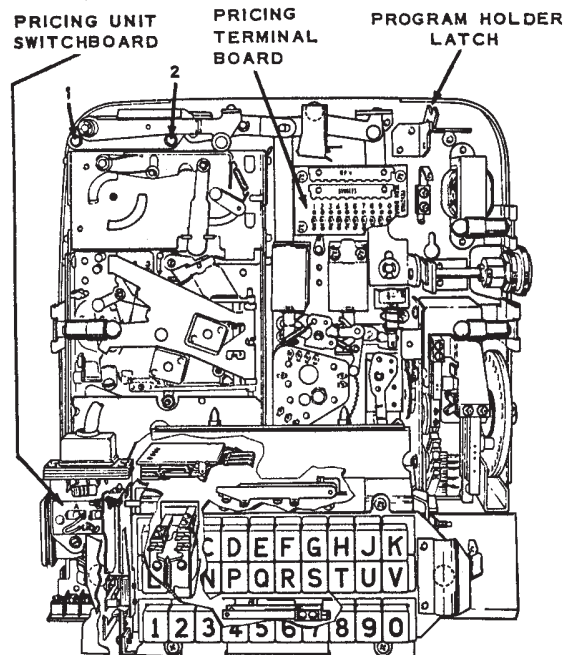


Figure 2.

WALL-O-MATIC "200", TYPE HD-3WA

set to "A", as in pricing combination No. 1, and the Pricing Terminal Board connected for "SINGLES" & "EP's", the following operational sequence holds true:

1. The deposit of a nickel rotates the credit wheel in the Dual Pricing Unit to the one-credit position and the lower right credit window light goes on indicating "5¢ Credit - Another Coin Required". No plays will result when selection buttons are pushed.
2. Another nickel (or a dime initially) rotates the credit wheel to the two-credit position and the lower left credit window light goes on indicating "Make 10¢ Selection Only". Now only "Singles" plays will result when proper selection buttons are pushed. If buttons for "EP" selection are depressed no selection will result unless another nickel is deposited.
3. Another nickel (or a nickel and a dime initially) rotates the credit wheel to the three-credit position and the upper credit window light goes on indicating "Make Any Selection". Credit window light remains the same as when on the three-credit position, with the deposit of additional coins.

With the Credit Window Light Switchboard set on position "B" and the Pricing Terminal Board tabs all placed on "Singles" as in pricing combination No. 2, the following holds true:

1. The first nickel deposited rotates the credit wheel to the one-credit position and the lower right credit window light goes on as before.
2. Another nickel (or a dime initially) rotates the credit wheel to the two-credit position and the upper credit window light goes on indicating "Make Any Selection". The lower left credit light remains out at all times with the switchboard in "B" position.

With the Credit Window Light Switchboard set on position "A" and the Pricing Terminal Board tabs all placed on "EP's" as indicated in pricing combination No. 3, the following holds true:

1. The Dual Pricing Unit operation is similar to that of the previous "A" switchboard set-up, however, no plays will result on the first two credit positions.
2. In the 2-credit position, the lower left credit window lights up to indicate "10¢ Credit - Another Coin Required". This credit window, Part No. 505553 is available from your Seeburg Distributor and is installed as shown in Figure 4.

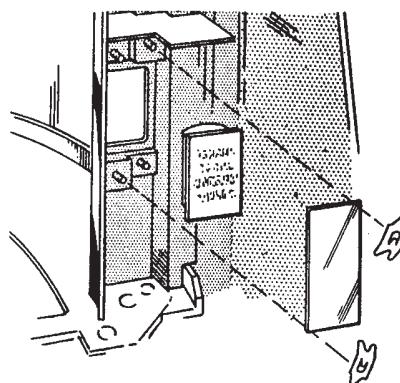


Figure 4.

Appropriate Classification Headings required to satisfy a desired pricing combination may be chosen from the tabulated listing, Figure 5.

CLASSIFICATION HEADING	PART NUMBER	
	10¢ SINGLES	15¢ EP's
HIT TUNES	506450	506460
RHYTHM & BLUES	506452	506462
COUNTRY & WESTERN	506451	506461
EP ALBUM RECORDS	—	506453

Figure 5.

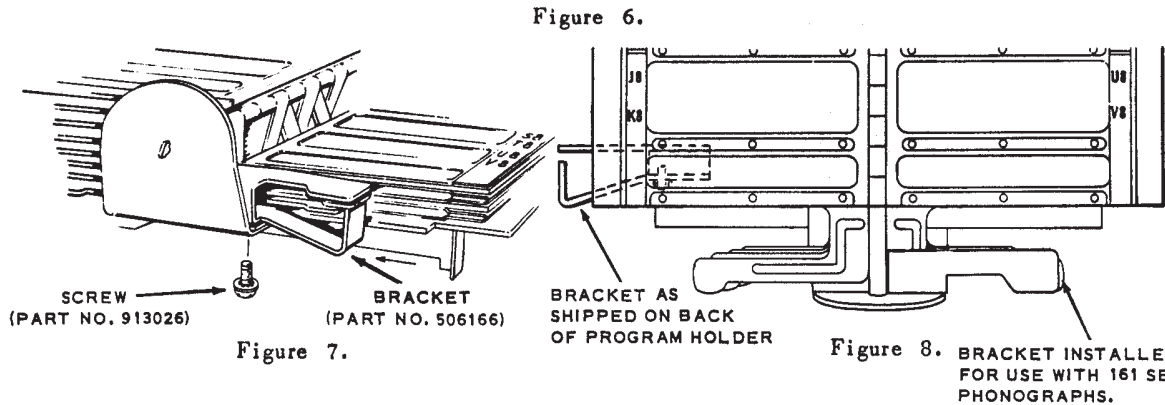
PROGRAM HOLDERS

The Wall-O-Matic "200", Type HD-3WA, can be used with either the Model 201 or 161 series phonographs. The program holder panel numbers and corresponding classification headings are shown in Figure 6. When the wallbox is being used with phonographs of the Model 161 series, a bracket, Part No. 506166, must be used to render panels 9 and 0 inoperative. This bracket will be found on the back of the program holder. It should be secured on the lower side of the program holders in the manner indicated in Figures 7 and 8.

WALL-O-MATIC "200", TYPE HD-3WA

CLASSIFICATION HEADINGS

PROGRAM HOLDER PANELS:	HD-3WA WALL-O-MATIC AS SHIPPED FOR USE WITH 201DH PHONOGRAPHS	HD-3WA WALL-O-MATIC AS RECOMMENDED FOR USE WITH 161DH PHONOGRAPHS
1	10¢ HITS	10¢ HITS
2	10¢ HITS	10¢ HITS
3	10¢ HITS	10¢ RHYTHM & BLUES
4	10¢ RHYTHM & BLUES	10¢ COUNTRY & WESTERN
5	10¢ COUNTRY & WESTERN	15¢ EP ALBUM RECORDS
6	15¢ EP ALBUM RECORDS	15¢ EP ALBUM RECORDS
7	15¢ EP ALBUM RECORDS	15¢ EP ALBUM RECORDS
8	15¢ EP ALBUM RECORDS	15¢ EP ALBUM RECORDS
9	15¢ EP ALBUM RECORDS	NOT USED } CLAMPED BY
0	15¢ EP ALBUM RECORDS	NOT USED } BRACKET 506166



MAINTENANCE AND SERVICE

CLEANING

The slug rejector should be kept free of dirt and dust. If a rejector has been working successfully and becomes erratic or fails to work at all, the trouble can generally be attributed to dirt or to some stoppage in the coin track. Cleaning only should correct the trouble.

Switch and relay contacts should be cleaned with a contact burnisher. Do not use a file, sandpaper, or emery cloth.

The contacts on the selector disc should be cleaned with a cloth saturated with carbon-tetrachloride. Do not use emery cloth or sandpaper. The contacts are silver plated brass. To sand them or clean them with an abrasive will remove the plating and expose the brass. The brass does not provide good contact and will require more frequent service as well as cause erratic operation. The contacts should not be lubricated.

The contact point on the contact arm should be cleaned with carbon-tet'. It is not necessary to remove it from the shaft. A piece of cloth saturated with carbon-tet' can be drawn under the contact point.

The selector switches and the motor gears should be kept free of dirt and dust by blowing out. Do not use roach powders of any kind. Most of the powders are highly corrosive and will soon cause failure of the switches. If powders have been used, the switches should be thoroughly cleaned.

LUBRICATION

The motor gears should be lubricated with Aero Lubriplate.

A drop or two of Seeburg No. 53014 Special Purpose Oil on the Motor Shaft bearings will reduce wear and friction to a minimum.

WALL-O-MATIC "200", TYPE HD-3WA

The scavenger linkage of the slug rejector can be sparingly lubricated with No. 105 Lubriplate at wear and friction points, but care should be taken so that it does not get into the coin track. Oil should not be used. The coin path of the rejector may be dusted with Motor Mica.

MOTOR

The motor is designed to operate the Wall-O-Matic through a complete cycle in a little more than 2 seconds. If the motor is slow, the current impulses to the step relay (in the Selection Receiver) will be slow and cause erratic operation of the step switch assembly. The motor can best be checked for speed by allowing it to operate steadily and counting the turns per minute of the contact arm. Normal speed is 19 revolutions per minute. Acceptable speed limits are 17 to 21 rpm. If the motor is slow, check for binding or excessive friction. If the motor runs slow when there are no binds, it will have to be replaced.

COIN SWITCHES

If operation of the coin switches is erratic, they should be removed as a complete unit and carefully cleaned with carbon tetrachloride and burnished with a contact burnishing tool. *Do not use a file or sandpaper for contact cleaning.*

To remove the coin switch assembly, first remove the fifty cent section of the slug rejector. Next unscrew one, two and three (Figure 9) and withdraw the slug rejector mounting frame from the Wall-O-Matic back plate. Unscrew four and five thereby releasing the coin switch assembly.

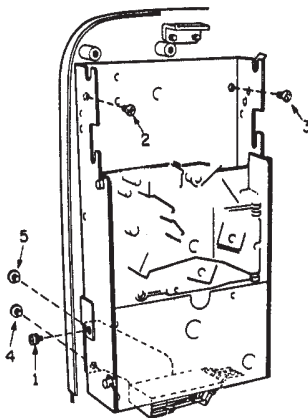


Figure 9.

Adjustment of the coin switch is shown in Figures 10 and 11 and the following steps A to H:

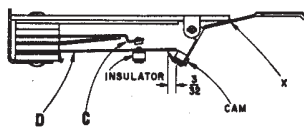


Figure 10.

- A. Adjust the 5-, 10- and 25-cent coin levers so that they are parallel with the bottom edge of the slug rejector when bearing against the switch bracket at X (Figure 10).
- B. Adjust the switch actuating cams to be tilted as shown and overlapping the switch blade approximately $\frac{3}{32}$ of an inch.
- C. Adjust the short blade and bracer of the switches for $\frac{1}{32}$ " to $\frac{3}{64}$ " contact gap with short blade bearing against the tip of the bracer with approximately one to three grams pressure as measured at the contact X point.
- D. Adjust long blades so they bear against cams. When contact just makes, the force should be as measured at the switch contact.
 1. Nickel Switch (front) eight to thirteen grams.
 2. Dime Switch five to eight grams.
 3. Quarter Switch eight to thirteen grams.
- E. Form the lever for the fifty cent switch as shown in Figure 11.

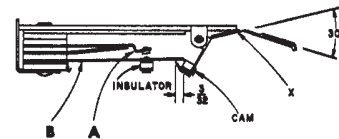
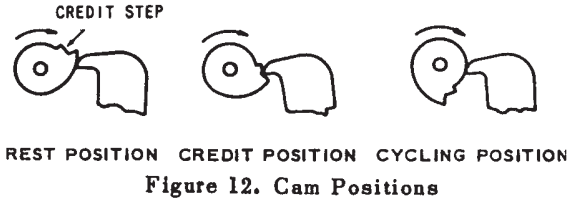


Figure 11.

- F. Adjust short blade and bracer of all switches for $\frac{3}{64}$ to $\frac{1}{16}$ contact gap with short blade bearing against tip of bracer approximately one to three grams measured at contact point.
- G. Adjust long blade (B) of the fifty cent switch so it bears against the cam with eight to thirteen grams of force as measured at the switch contact when contact just makes.
- H. Form the extension of the fifty cent coin switch (that actuates the 25¢ coin switch) so the INSULATOR at the end of the extension just touches the long blade of the 25¢ coin switch. Check adjustment by operating the 25¢ coin switch lever. The extension should not move when the 25¢ coin switch is operating but, in the rest position, there must be no gap between the INSULATOR in the extension and the long blade.

LATCH BAR ADJUSTMENT

The selection switches have three conditions of operation corresponding to the 3-positions of the cam shown in *Figure 12* and are



operated by the cam through mechanical linkage. In the stand-by positions the switch latch bars are held against the pressure of the latch bar spring so the selector buttons are free to move in and out and will not stay in the pressed-in position. In the credit position the bars are released to a position which permits a selection switch, when pressed, to latch in the operated position but, if another switch is operated, the first will be released. In the cycling position the latch bars are fully released so the selection switches are locked in either the normal or pressed positions.

The adjustment for the latch bar operation is made with the screws – one for each selection switch assembly – at the right of the assemblies (*shown in Figure 13*) in the following manner:

1. Place the cam in the Credit Position (*Figure 12*).
2. Adjust screw opposite the number switch latch bar so that Number 5 switch stem just rubs on the latch bar; turn adjusting screw one-half (1/2) to three-quarter (3/4) turn counter clockwise (viewed from flatted end) from this position. Check each number switch for proper latching and releasing.
3. Adjust the screw opposite the L-V letter switch latch bar so that the head of adjusting screw is at least 1/16" away from the end of the latch bar, then adjust the screw opposite A-K letter switch latch bar so that letter E switch stem just rubs on the latch bar; turn adjusting screw one-half (1/2) to three-quarter (3/4) turn counter-clockwise (viewed from flatted end) from this position. Check each A to K letter switch for proper latching and releasing.

4. Adjust the screw in the left hand end of letter latch bar so that any button in A-K switch unlatches any button in L-V switch, and vice versa. Check each L-V letter switch for proper latching and releasing.
5. Adjust the screw opposite the L-V letter switch latch bar so that head of adjusting screw just touches end of latch bar.

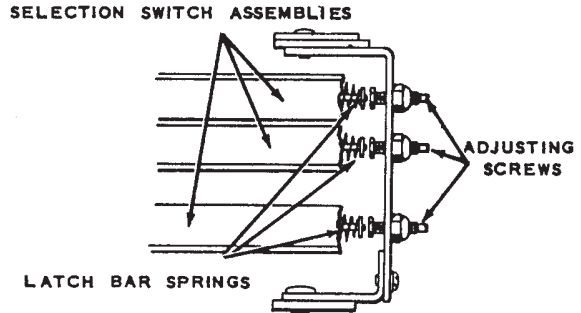


Figure 13.

CONTACT ARM POSITION

1. Turn the motor manually until the latch bar lever drops to the credit step of the cam and then reverse the direction until the point of the lever is against the vertical part of the cam as shown in *Figure 12*.

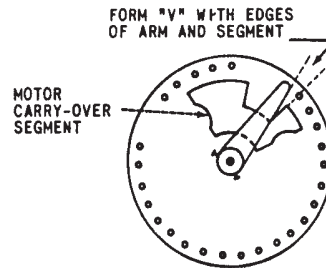


Figure 14.

2. Set the Contact Arm on the shaft so the edge of the blade forms a "V" with the edge of the motor carry-over segment as shown in *Figure 14*, and the lower part of the hub is spaced approximately 1/8" from the surface of the selector plate as shown in *Figure 15*.

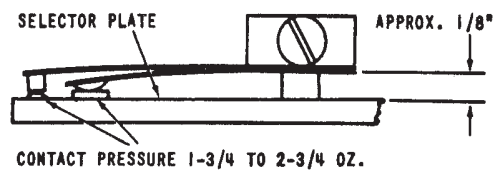


Figure 15.

SIGNAL SWITCH ADJUSTMENT

The signal switch function is to open the signal circuit if the selector buttons are manipulated while the Wall-O-Matic is cycling. It is operated by an over-center spring, the position and operation of which are controlled by both the latch bar lever and the latch bars. If the latch bars are moved to the left by forceable

manipulation of the selector buttons after the latch lever has moved to the cycling position, the over-center spring opens the switch contacts and interrupts the signal. If the latch bars are not moved after the Wall-O-Matic starts cycling, the switch remains closed and normal selection operation results.

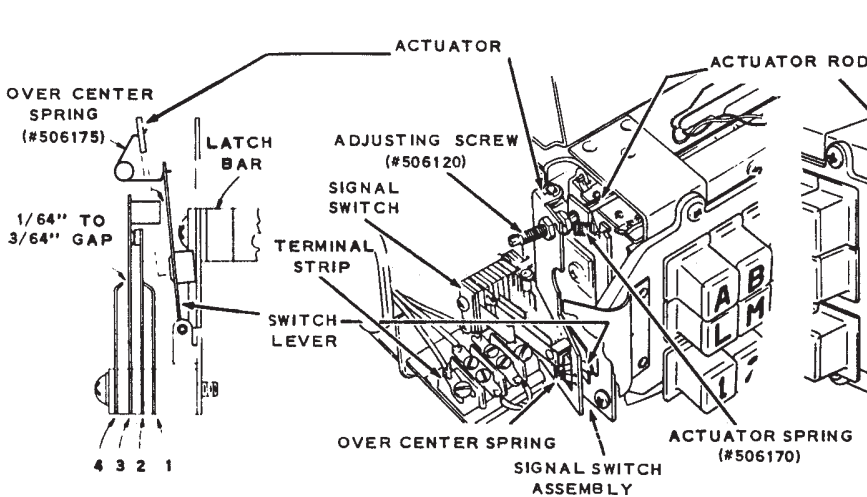


Figure 16. Signal Switch In Standby Position

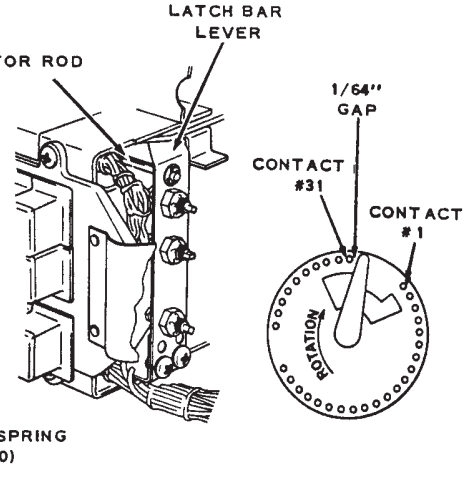


Figure 17.

Figure 18. Selector Plate

To adjust signal switch assembly:

NOTE: Before starting adjustment, be sure the fibre lift on the long blade of the signal switch is NOT touching the switch lever and the switch lever is being held toward the selector switches by the over-center spring (See Figure 17). Also be sure the latch bar adjustments are correct.

1. Turn the motor manually until the latch bar lever drops into the credit position and position the adjusting screw so the underside of the screw head is approximately 3/16" from the surface of the actuator.
2. With the Wall-O-Matic still in the credit position, slowly press in the number selector button "5" until the latch bar of the number switch reaches its maximum movement to the left.
3. While carefully holding the number 5 button and the latch bar in the position indicated in paragraph 2, turn the motor until the Wall-O-Matic is in the pulsing position.

4. With the Wall-O-Matic in the pulsing position and while still holding the number 5 button, slowly turn the adjusting screw out (counter-clockwise as viewed from the outer end) until the over-center spring "flips" the switch lever to the left against the signal switch. Add 1/8 turn additionally beyond the position at which the switch lever was moved. In making this adjustment be careful to turn only (not to push or pull) the adjusting screw.

5. With the Wall-O-Matic in the credit position, bias the short contact blade No. 2 of the signal switch against its bracer blade No. 1 with a force of 3/4 to 1 1/2 oz. The force is measured at the contact and while holding the long blade No. 3 so the contacts are open. The bracer blade No. 1 should be initially set at right angle to the switch body).

6. With the Wall-O-Matic still in the credit position, adjust the long contact blade No. 3 so the contacts are closed with 3/4 to 1 1/2 oz. pressure.

WALL-O-MATIC "200", TYPE HD-3WA

7. Turn the motor manually until the Wall-O-Matic is in the stand-by position with the latch bar pawl on the highest part of the cam on the motor assembly.

8. With the Wall-O-Matic in the stand-by position as in 7, and with $1/64''$ to $3/64''$ gap between the long contact blade No. 3 and its bracer blade No. 4 alternately position the bracers for the short contact blade and the long contact blade so there is a $1/64''$ to $3/64''$ gap between the switch lever and the fibre lift on the long switch blade No. 3 and so the contact pressure is $3/4$ to $1\frac{1}{2}$ oz.

9. Turn the motor manually until the Wall-O-Matic is again in the pulsing position and then manually move the switch lever to the left. It

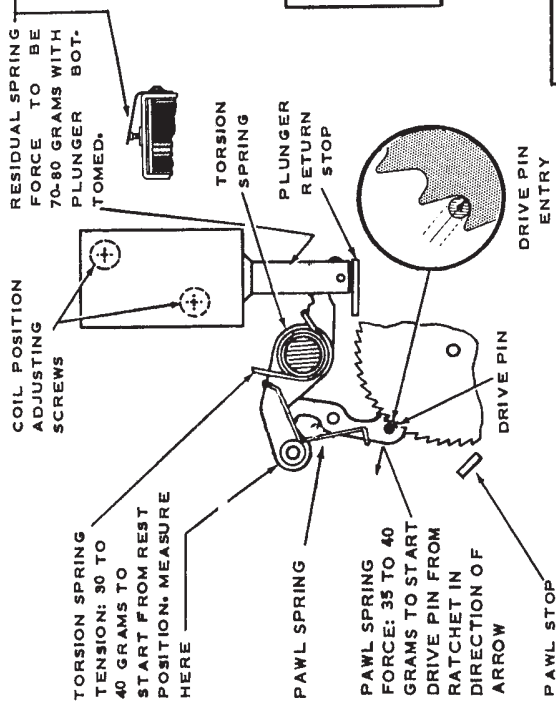
should snap the Signal Switch contacts with $1/64''$ minimum gap.

10. With the Wall-O-Matic still in the Pulsing Position and with the switch lever still to the left, turn the motor manually to the Stand-by Position until the switch lever snaps to the right allowing the Signal Switch to close. The switch should close when the Contact Arm (*Figure 18*) is $1/64''$ minimum past the last (#31) contact.

If this minimum clearance is not obtained, increase the gap between the fibre lift on the long switch blade and the switch blade and/or the gap between the long switch blade and its bracer blade.

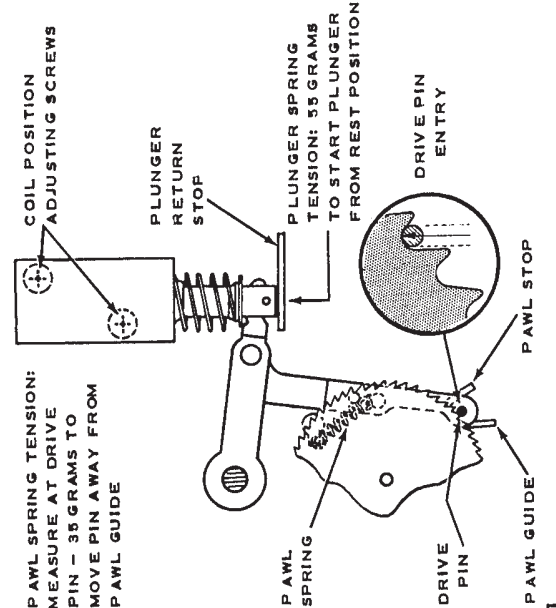
If the Signal Switch fails to reset, reduce the gaps slightly.

ADD 6 (25¢) DRIVE ADJUSTMENT

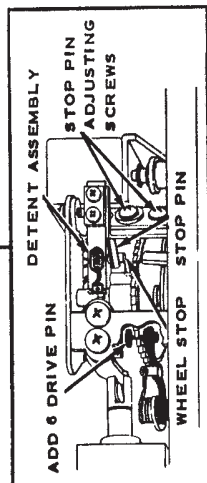


- A. With wheel stop against stop pin, adjust stop pin position so ADD 6 drive pin enters ratchet without striking or rubbing the sides of the teeth.
- B. Loosen the two screws holding the coil.
- C. Operate the plunger manually by applying force at the end of the plunger (*not the levers*) so it is fully seated.
- D. Position the coil so the plunger operation will move the wheel six teeth and be fully detented. Tighten screws holding the coil.
- E. Adjust pawl stop for minimum play in wheel when plunger is fully seated.
- F. Adjust plunger return stop position for clearance between the drive pin and the tips of the ratchet teeth. The tips should pass without rubbing but the clearance must not be more than .010".

ADD 2 (10¢) DRIVE ADJUSTMENT

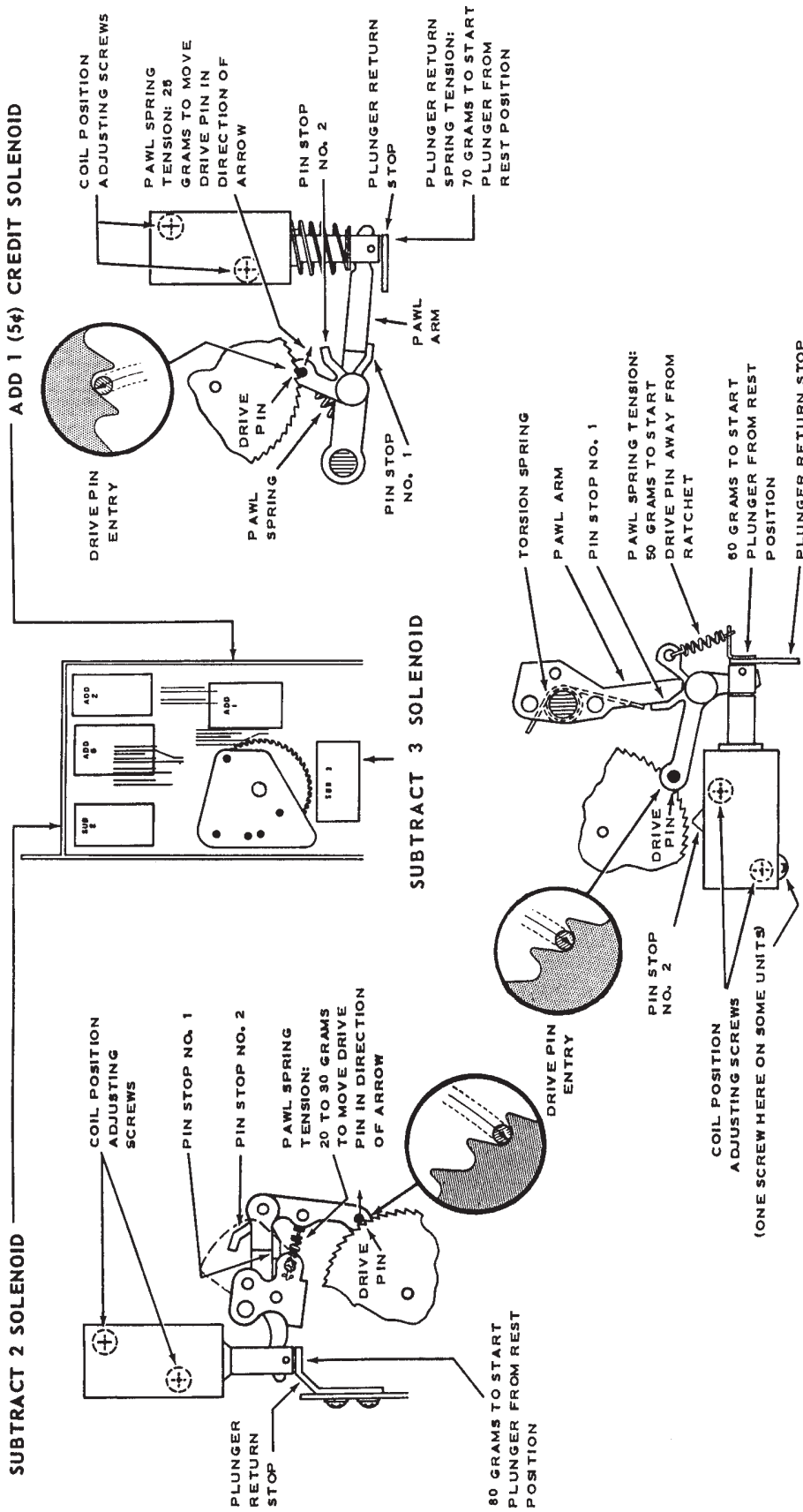


- A. Adjust pawl guide so drive pin enters ratchet without striking or rubbing the sides of the teeth.
- B. Loosen the two screws holding the coil.
- C. Operate the plunger manually by applying force at the end of the plunger (*not the levers*) so it is fully seated.
- D. Position the coil so the plunger operation will move the wheel two teeth and be fully detented. Tighten screws holding the coil.
- E. Adjust pawl stop for minimum play in wheel when plunger is fully seated.
- F. Adjust plunger return stop position for clearance between the drive pin and the tips of the ratchet teeth. The tips should pass without rubbing but the clearance must not be more than .010".



WHEEL STOP AND DETENT ADJUSTMENT

- A. With wheel stop against stop pin, adjust stop pin position so ADD 6 drive pin enters ratchet without striking or rubbing the sides of the teeth.
Entry of all drive pins and the detent spring position adjustments are effected by the stop pin position and should be checked if a change is made.
- B. Adjust position and force of detent spring so roller is *in full detent* when wheel stop is against stop pin and roller pressure against wheel is 150 to 160 grams (5 1/2 oz.).

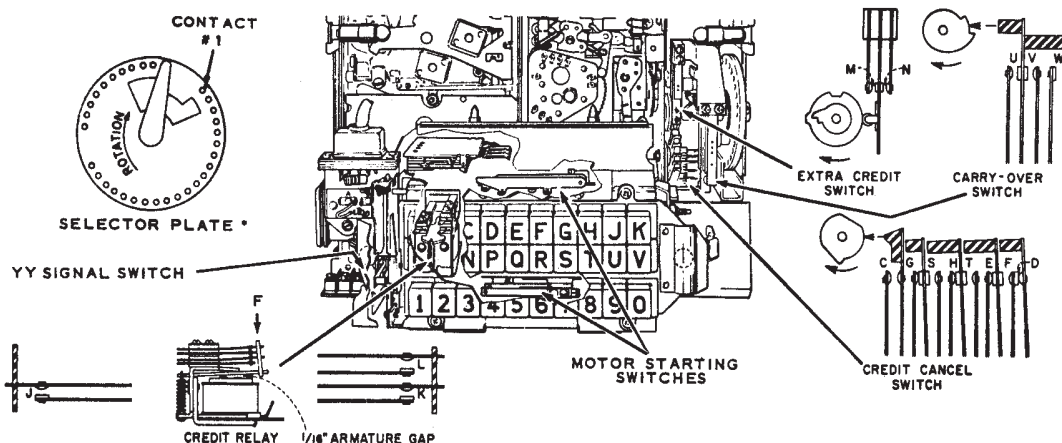


SUBTRACT 2; SUBTRACT 3; ADD 1 DRIVE ADJUSTMENTS

- A. Adjust pin stop No. 1 so the drive pin enters the ratchet without striking or rubbing the sides of the teeth.
- B. Adjust the plunger return stop position for clearance between the drive pin and the tips of the ratchet teeth. The tips should pass without rubbing but the clearance must not be more than .010".
- C. Loosen the two screws holding the coil.
- D. Operate the plunger manually by applying force at the end of the plunger (*not the levers*) so it is fully seated.
- E. Position the coil so the plunger operation will move the wheel the required number of teeth and will be in full detent. Tighten screws holding the coil.
- F. Adjust pin stop No. 2 for minimum play in wheel when plunger is fully seated.

WALL-O-MATIC "200", TYPE HD-3WA

CONTACT OPERATION & GAP ADJUSTMENT

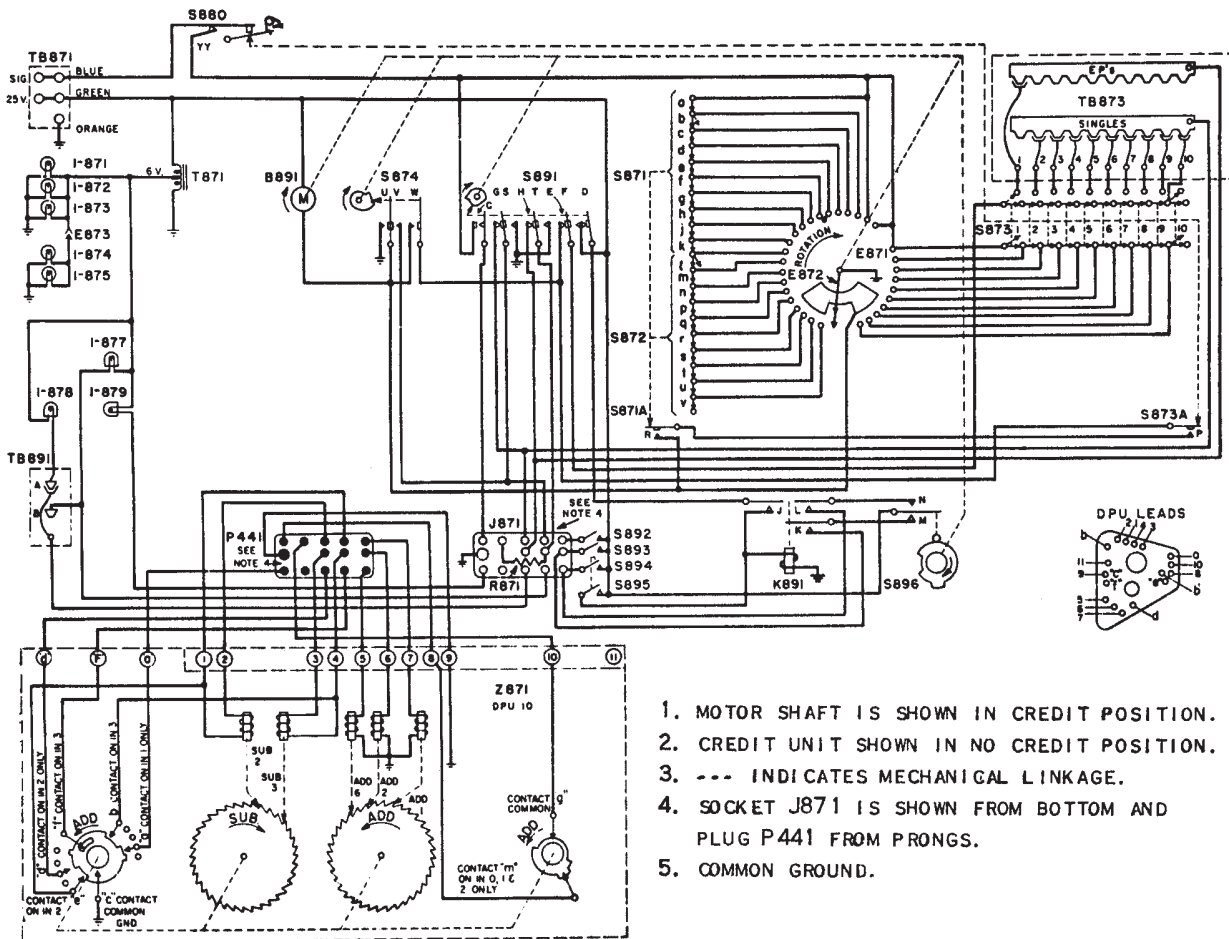


CONTACT	STAND-BY	CREDIT POSITION	CYCLING (CREDIT-CANCEL)
CARRY-OVER SWITCH			
U	Open	Open - Minimum Gap 1/64	Closed
V	Closed	Open - Minimum Gap 1/64	Open
W	Open	Open - Minimum Gap 1/64	Closed
CREDIT CANCEL SWITCH			
C	Open 1/32	Open - Minimum Gap 1/32	Closed When Contact Arm Reaches Contact No. 8.
G	Closed	Closed	** Open 1/64 While Contact Arm Moves From Contact No. 26 to 29.
S	Open 1/64	Open - Minimum Gap 1/64	Closed While Contact Arm Moves From Contact No. 26 to 29.
H	Closed	Closed	** Open 1/64 while Contact Arm Moves From Contact No. 26 to 29.
T	Open 1/64	Open - Minimum Gap 1/64	Closed While Contact Arm Moves From Contact No. 26 to 29.
E	Closed	Closed	** Open 1/64 While Contact Arm Moves From Contacts 26 to 29.
F	Open 1/64	Open - Minimum Gap 1/64	** Closed While Contact Arm Moves From Contact No. 27 to 28.
D	Closed	Closed	Open 1/64 When Contact Arm Is At Contact 28.
EXTRA CREDIT SWITCH			
M	Open 1/64	Open - Minimum Gap 1/64	Closed When Contact Arm Reaches Contact No. 9.
N	Open 1/64	Open - Minimum Gap 1/64	Closed When Contact Arm Reaches Contact No. 19.
MOTOR STARTING SWITCHES			
R	The Motor Starting Switches Should Make Contact At The Bottom Of The Selection Button Stroke. They Should Make Contact As Close As Possible To The Bottom and Still Maintain Contact When Any Button On The Switch Is Latched In.		
P			
SIGNAL SWITCH			
YY	Contacts Open Only When Selector Buttons Are Manipulated While The Wall-O-Matic Is Cycling. See Detailed Adjustment Data, Page 12101.		
CREDIT RELAY			
J	All Contacts Normally Open - Minimum Gap 1/64 - Minimum Pressure 1 Oz. Pressure Required To Start From Rest Position Measured At "F" is 2 Oz. Coil Resistance is 24 Ohms.		
K			
L			

SELECTOR PLATE - Contacts Numbered Clockwise.

CAUTION: Contacts "E", "G" and "H" Must Open Before Contact "F" Closes.

WALL-O-MATIC "200", TYPE HD-3WA



1. MOTOR SHAFT IS SHOWN IN CREDIT POSITION.
2. CREDIT UNIT SHOWN IN NO CREDIT POSITION.
3. --- INDICATES MECHANICAL LINKAGE.
4. SOCKET J871 IS SHOWN FROM BOTTOM AND PLUG P441 FROM PRONGS.
5. COMMON GROUND.

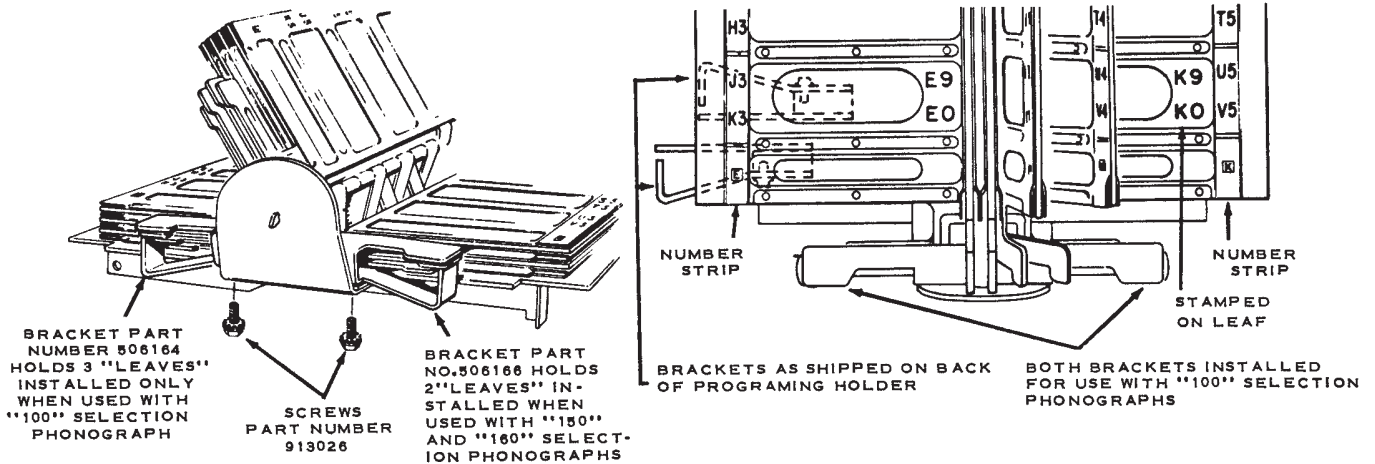
PARTS LIST

Item	Part No.	Part Name	Item	Part No.	Part Name
B891	506332	Motor Assembly	S871A	505511	Treadle Bar Starting Switch
E871	505802	Selector Plate Assembly	S872	505512	Selector Switch (Center)
E872	505806	Contact Wiper Arm	S873	505513	Selector Switch (Bottom)
E873	504045	Brush Assembly	S873A	505513	Treadle Bar Starting Switch
I 871	505173	No. 55 G. E. Lamp	S874	505800	Carry-Over Switch
I 872	505173	No. 55 G. E. Lamp	S880	506176	Signal Switch
I 873	505173	No. 55 G. E. Lamp	S891	506389	Credit Cancel Switch
I 874	10242	No. 51 G. F. Lamp	S892	506349	5¢ Coin Switch
I 875	10242	No. 51 G. E. Lamp	S893	506349	10¢ Coin Switch
I 877	10242	No. 51 G. E. Lamp	S894	506349	25¢ Coin Switch
I 878	10242	No. 51 G. E. Lamp	S895	506349	50¢ Coin Switch
I 879	10242	No. 51 G. E. Lamp	S896	506420	Extra Credit Switch
J 871	306014	Socket	T871	505796	Transformer
K891	506421	Credit Relay	TB871	13398	Terminal Strip
P441	125632	Plug and Shell Assembly	TB873	410706	Pricing Board
R871	82746	Resistor 1000 Ohm ± 10% 1 Watt	TB891	506384	Credit Light Terminal Board
S871	505511	Selector Switch (Top)	Z871	450520	DPU-10 Dual Pricing Unit (Code B)

SEEBURG

WALL-O-MATIC "100-160-200" Types S-3WU, D-3WU, HD-3WU

These Wall-O-Matics are for universal application with Seeburg 100, 160 and 200 selection phonographs. Brackets attached to the back of the program holder are used as shown below to lock program leaves when the Wall-O-Matic is used for 100, or 160 selection operation. Service data for Wall-O-Matics Type S-3WA, Manual page 12077; for Type D-3WA, page 12083; for Type HD-3WA, page 12095, applies to respectively the S-3WU, the D-3WU, and the HD-3WU.



Modification of Program Holder for "100" and "160" Selection Phonographs

* STAMPED ON PROGRAM LEAF

*SELECTION AT "100" SELECT-O-MATIC	CORRESPOND. SELECTION AT W-O-M	*SELECTION AT "100" SELECT-O-MATIC	CORRESPOND. SELECTION AT W-O-M	*SELECTION AT "100" SELECT-O-MATIC	CORRESPOND. SELECTION AT W-O-M	*SELECTION AT "100" SELECT-O-MATIC	CORRESPOND. SELECTION AT W-O-M	*SELECTION AT "100" SELECT-O-MATIC	CORRESPOND. SELECTION AT W-O-M
A1.....A1	A1	C1.....A2	A2	E1.....A3	A3	G1.....A4	A4	J1.....A5	A5
A2.....B1	B1	C2.....B2	B2	E2.....B3	B3	G2.....B4	B4	J2.....B5	B5
A3.....C1	C1	C3.....C2	C2	E3.....C3	C3	G3.....C4	C4	J3.....C5	C5
A4.....D1	D1	G4.....D2	D2	E4.....D3	D3	G4.....D4	D4	J4.....D5	D5
A5.....E1	E1	C5.....E2	E2	E5.....E3	E3	G5.....E4	E4	J5.....E5	E5
A6.....F1	F1	C6.....F2	F2	E6.....F3	F3	G6.....F4	F4	J6.....F5	F5
A7.....G1	G1	C7.....G2	G2	E7.....G3	G3	G7.....G4	G4	J7.....G5	G5
A8.....H1	H1	C8.....H2	H2	E8.....H3	H3	G8.....H4	H4	J8.....H5	H5
A9.....J1	J1	C9.....J2	J2	E9.....J3	J3	G9.....J4	J4	J9.....J5	J5
A0.....K1	K1	C0.....K2	K2	E0.....K3	K3	G0.....K4	K4	J0.....K5	K5
B1.....L1	L1	D1.....L2	L2	F1.....L3	L3	H1.....L4	L4	K1.....L5	L5
B2.....M1	M1	D2.....M2	M2	F2.....M3	M3	H2.....M4	M4	K2.....M5	M5
B3.....N1	N1	D3.....N2	N2	F3.....N3	N3	H3.....N4	N4	K3.....N5	N5
B4.....P1	P1	D4.....P2	P2	F4.....P3	P3	H4.....P4	P4	K4.....P5	P5
B5.....Q1	Q1	D5.....Q2	Q2	F5.....Q3	Q3	H5.....Q4	Q4	K5.....Q5	Q5
B6.....R1	R1	D6.....R2	R2	F6.....R3	R3	H6.....R4	R4	K6.....R5	R5
B7.....S1	S1	D7.....S2	S2	F7.....S3	S3	H7.....S4	S4	K7.....S5	S5
B8.....T1	T1	D8.....T2	T2	F8.....T3	T3	H8.....T4	T4	K8.....T5	T5
B9.....U1	U1	D9.....U2	U2	F9.....U3	U3	H9.....U4	U4	K9.....U5	U5
B0.....V1	V1	D0.....V2	V2	F0.....V3	V3	H0.....V4	V4	K0.....V5	V5

Programing Cross-Reference Chart For "100" Selection Phonograph.